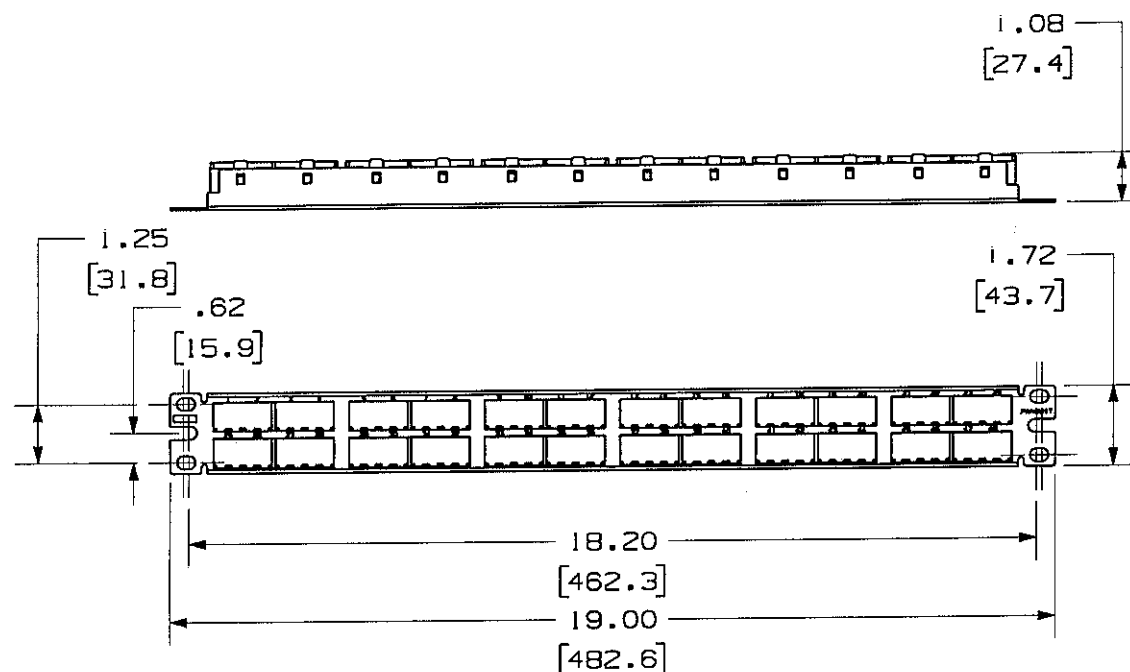
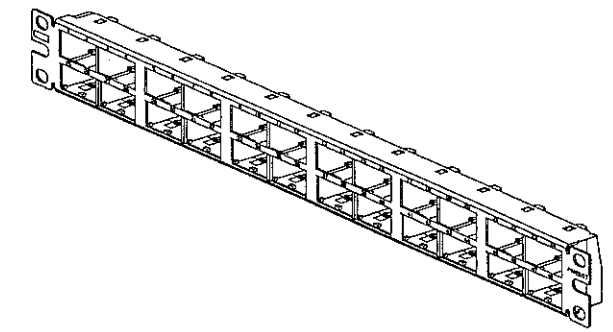


THIS COPY IS PROVIDED ON A RESTRICTED BASIS AND IS NOT TO BE USED IN ANY WAY DETRIMENTAL TO THE INTERESTS OF PANDUIT CORP.



PANDUIT P/N	WEIGHT
CPP48HDWBLY	6.15 LB/10 PCS (2788.0 g/10 PCS)

- NOTES:
- SEE CURRENT CATALOG FOR VARIOUS APPLICATIONS WITH THIS WIRING SYSTEM.
  - THE HIGH DENSITY PATCH PANEL IS DESIGNED FOR MOUNTING TO 19" UNIVERSAL RACKS.
  - PACKAGE CONTENTS:
    - (1) -48 PORT STAMPING
    - (6) -8 POSITION FACEPLATE (ASSEMBLED TO PANEL)
    - (1) -SCREW KIT (INCLUDES FOUR #12-24 SCREWS)
    - (1) -SCREW KIT (INCLUDES FOUR M6 SCREWS)
  - DIMENSIONS IN PARENTHESIS ARE IN METRIC.



REV	DATE	BY	CHK	DESCRIPTION	ECN	R	CUST	SUP	OTH
R	3-11-06	JsP	<i>MMO</i>	RELEASED TO PRODUCTION	02479-081	<i>MMO</i>	<i>MMO</i>		

NETWORK SYSTEMS  
 NETWORK SYSTEMS  
 MAY 26 2006  
 ENGINEERING DEPT

MODEL FILENAME	M01348AA_CPP48HD_ASMBL_08.PRT	SIZE	A
DRAWING FILENAME	M02479DA_DC81_00A.PRT		
MINI-COM 48 PORT HIGH DENSITY MODULAR PATCH PANEL CUSTOMER DRAWING			
	THIRD ANGLE PROJECTION	PANDUIT <sup>TM</sup> CORP. TINLEY PARK, ILL 60477	I.I. NUMBER N/A
		ALL DIMENSIONS ARE GIVEN IN INCHES, UNLESS OTHERWISE SPECIFIED. DIMENSIONAL TOLERANCES ARE: (.X) ± (.XXX) ± (.0101.3) (.XX) ± (.031.8) ANGLES ±	PRODUCT SPEC N/A
		MATERIAL: STAMPING- 18 GAGE C.R.S. FACEPLATE- ABS	WORK INSTRUCTION N/A
		DATE 3-11-06	SCALE NONE
		CHK'D <i>MMO</i>	PART NO. CPP48HDWBLY
			DRAWING NO. 02479-081